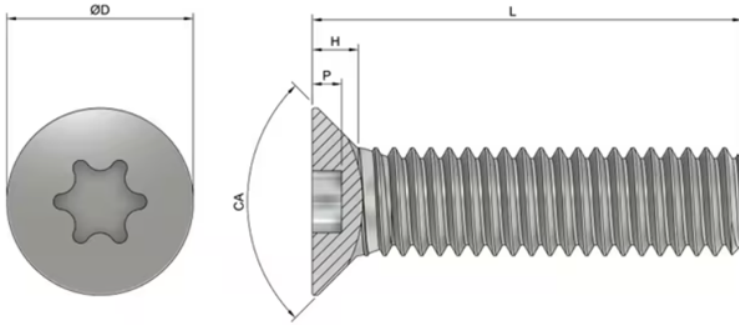


Technical Data Sheet

M5 x 20mm CSK Torx Countersunk Screws (ISO 14581) - Stainless Steel – 304



3FParts Product Code (3PC)	3F-00125-743-2450
Head Diameter (D)	9.2 mm - Tolerance: +0/-0.36 mm
Torx Size	T25
Countersunk Angle (CA)	90 Degrees - Tolerance: +2/-0 Degrees
Countersunk Length (H)	2.5 mm
Thread Size (Dia.)	M5
Thread Pitch	0.80 mm
Length (L)	20mm
Manufacturing Standard	ISO 14581
Material	Stainless Steel – 304
Fully Threaded	Yes