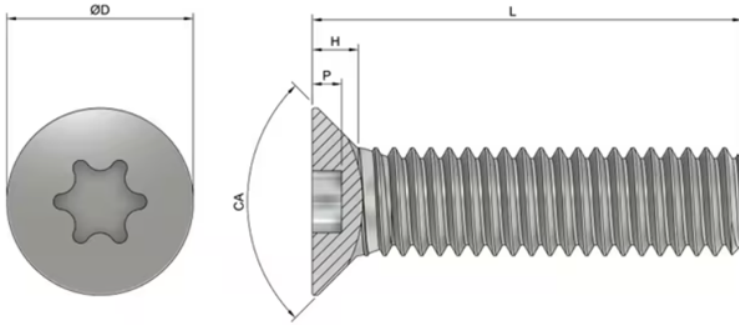


## Technical Data Sheet

### M3 x 10mm CSK Torx Countersunk Screws (ISO 14581) - Stainless Steel – 304



3FParts Product Code (3PC)	3F-00125-862-2441
Head Diameter (D)	5.5 mm - Tolerance: +0/-0.3 mm
Torx Size	T10
Countersunk Angle (CA)	90 Degrees - Tolerance: +2/-0 Degrees
Countersunk Length (H)	1.65 mm
Drive Depth (Maximum) (P)	1.1 mm
Drive Depth (Minimum) (P)	0.70 mm
Thread Size (Dia.)	M3
Thread Pitch	0.50 mm
Length (L)	10mm
Manufacturing Standard	ISO 14581
Material	Stainless Steel – 304
Fully Threaded	Yes