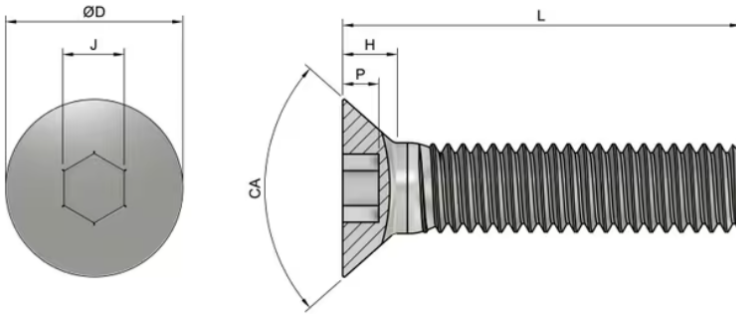


Technical Data Sheet

M2.5 x 20mm Allen Csk (DIN 7991) - Stainless Steel 304 (A2-70)



3FParts Product Code (3PC)	3F-00125-549-1965
Socket Size (J)	1.5mm
Countersunk Angle (CA)	90 Degrees
Countersunk Length (Max) (H)	1.55mm
Head Diameter (Max) (D)	5.88mm
Head Diameter (Min) (D)	4.66mm
Hexagon Depth (P)	0.8mm
Thread Size (Dia.)	M2.5
Thread Pitch	0.45 mm
Length (L)	20mm
Manufacturing Standard	DIN 7991
Material	Stainless Steel 304 (A2-70)
Fully Threaded	Yes