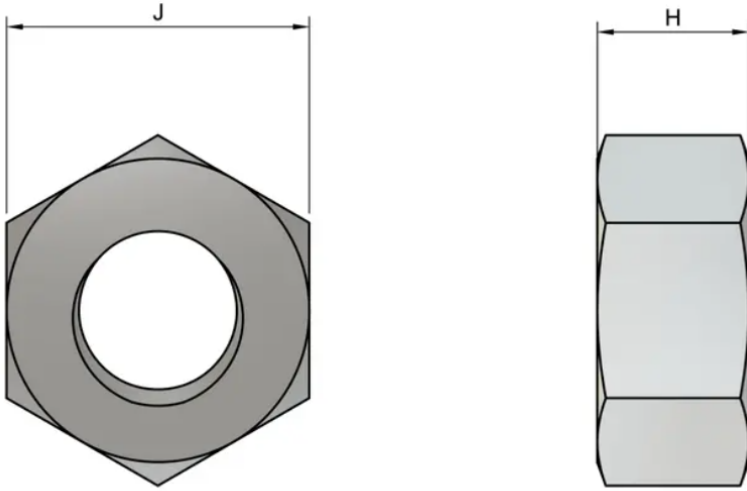


## Technical Data Sheet

### M1.4 Hex Nut (DIN 934) - Stainless Steel 304 (A2-70)



3FParts Product Code (3PC)	3F-00125-980-1813
Socket Size (J)	3mm, Tolerance: +0/-0.1mm
Nut Thickness (H)	1.2mm, Tolerance: +0/-0.25mm
Thread Size (Dia.)	M1.4
Thread Pitch	0.30 mm
Material	Stainless Steel 304 (A2-70)
Manufacturing Standard	DIN 934