

**S-3FPARTS INNOVATIONS LLP**

**Company No:** ACI-7026

**GST NO:** 24AFJFS3134B1ZE

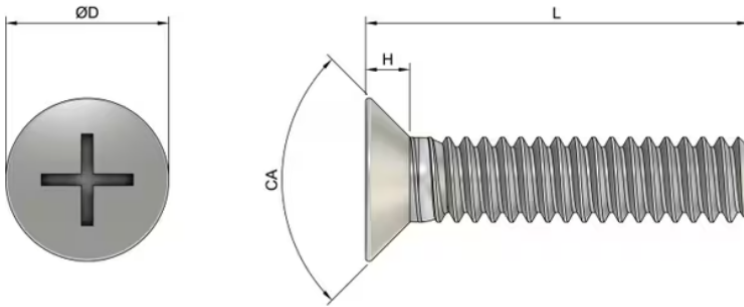
**Email:** 3fparts@gmail.com

**Phone:** 7435071980

**Our Address:** No-19(A) Shrine Estate, Kewal Kanta  
Road, Opp. Nanavati Estates, Rakhial Ahmedabad,  
Gujarat 380023 India

## Technical Data Sheet

M1.6 x 8mm CSK Phillips Countersunk Machine Screws (DIN 965) - Stainless Steel 304 (A2-70)



3FParts Product Code (3PC)	3F-00125-406-1698
Countersunk Angle (CA)	90 Degrees, Tolerance: +2/-0 Degrees
Countersunk Length (H)	0.96mm
Head Diameter (Max) (D)	3mm
Drive Size	PH0
Manufacturing Standard	DIN 965
Material	Stainless Steel 304 (A2-70)
Thread Size (Dia.)	M1.6
Length (L)	8mm
Fully Threaded	Yes
Thread Pitch	0.35 mm